

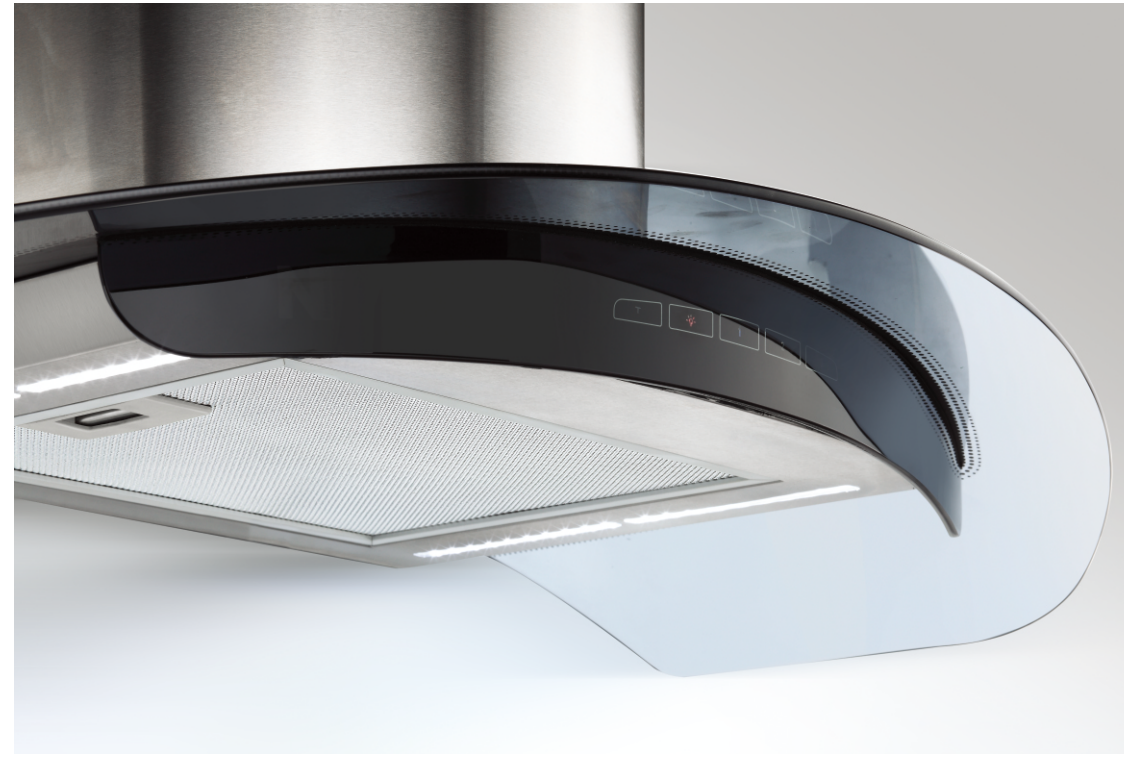
Thank you for your purchase of this product. Please read the manual carefully before operating the appliance

RANGE HOOD

kitchen technique

Newmatic

User's Manual



Kenya, Tanzania, Uganda

Please contact us for your free installation.
Do not install the appliance by yourself, it is dangerous & voids the warranty



PHOTO	MODEL NO.	PHOTO	MODEL NO.
	H72		H61 H62 H63 H64
	H73		H66
	H77		H33.9
	H76		H33.6

Introduction	1
Features	2
Installation	3
Lamp Change	4
Notice of Installation	5
Safety Warning	6
How to Use	7-9
Troubleshooting	10
Specifications	11
Cleaning & Maintenance	12
Electrical Diagram	13

G.W. 16.75KGS N.W 13.00KGS W 90CM FOR H61 H62 H63 H64.9
G.W. 15KGS N.W 11KGS W90 FOR OTHER MODELS

1.1 This appliance has been manufactured with materials and processes that respect the environment. We hope that you will continue this important consideration in the operation of this appliance & the disposal of the packaging materials, thank you.

1.2 The installation work must be undertaken by a qualified technician experienced in cooker hood installation. Please connect the correct power rating.

1.3 The manufacturer disclaims all liability for any damage or injury caused as a result of not following the instructions for installation contained in the following text.

1.4 The appliance is not intended for use by young children or infirm persons without supervision.

1.5 Young children should be supervised to ensure that they do not play with the appliance.

1.6 The maximum number of hobs covered by range hood should not exceed 5 burners.

1.7 Any modifications to the appliance, electric wire and plug is dangerous & voids the warranty.

Features

2.1 This appliance is manufactured from top quality materials, and offers superb streamlined effects.

2.2 With high suction power and low noise, it is designed to remove cooking fumes from your kitchen quietly & effectively.

Installation

3.1 The range hood should be mounted at a distance of 650mm-700mm from the cooking surface for safety & optimum performance (If the instructions for installation of the gas hob specify a greater distance, this has to be taken into account.) (*see pic1*). That exhaust air must not be discharged into a flue which is used for exhausting fumes from other appliances burning gas or other fuels.

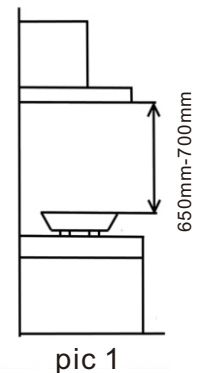
3.2 To install onto the wall, drill 2 holes of $\phi 8\text{mm}$ on a sturdy wall and in line with the hood.

3.3 Insert expended screws into the holes.

3.4 Fix drilling template on the wall. (See pic2).

3.5 Attach the duct to the one way valve and connect it to the kitchen outlet vent. (See pic3).

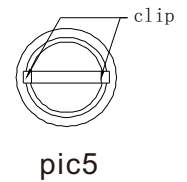
3.6 Mount the U-shaped bracket (alternative part), make sure it's firmed (see pic4).



pic 1

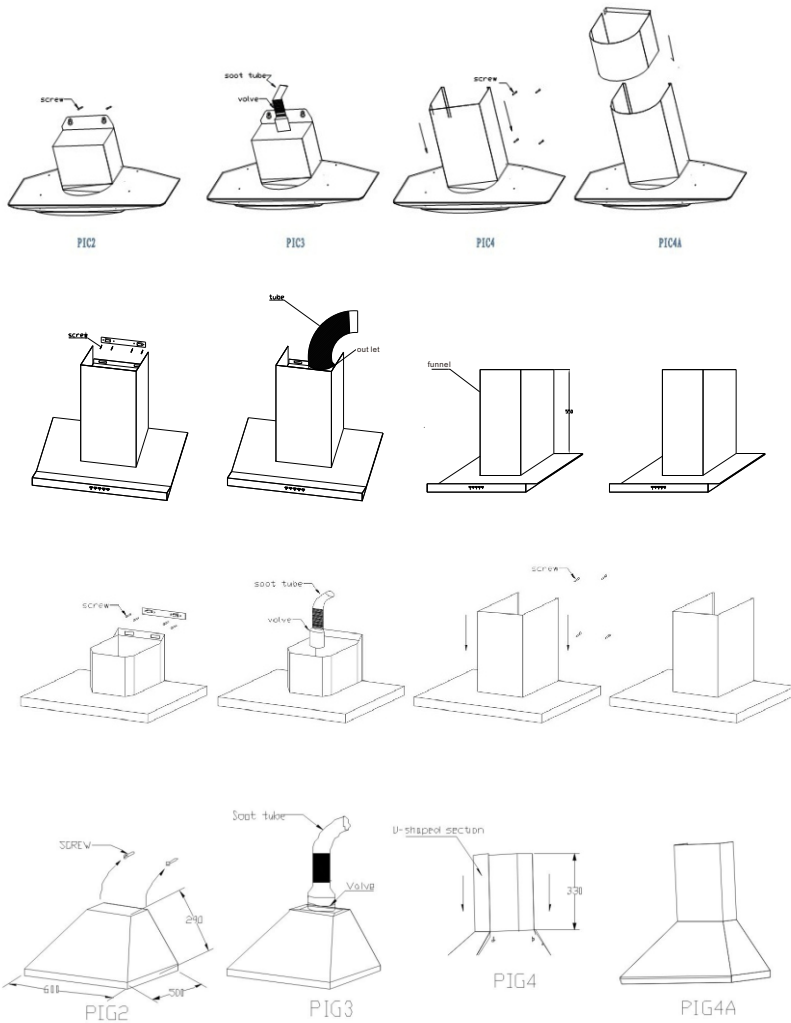
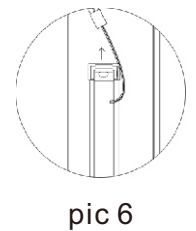
Change Led lamp

1. Turn off the power supply by unplugging from the wall socket.
2. From the rear of the lamp socket, detach the low-voltage electric connector.
3. Press the lamp's clip to take out the lamp holder (see pic 5).
4. Replace the lamp (LED Lamp Max. 1.5W) and then reinstall in the reverse manner.



Change Strip Led lamp

1. Turn off the power supply by unplugging from the wall socket.
2. Unfasten the screws on the glass canopy and remove the glass.
3. Detach the low-voltage electric connector.
4. Then unfasten the screws on the lamp (see pic 6).
5. Replace the lamp (LED Lamp Max. 2W) and then reinstall in the reverse manner.



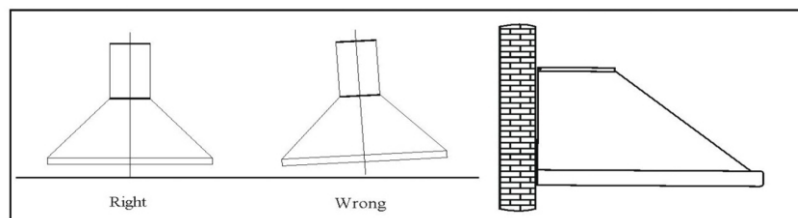
5.1 Before installation, please make sure that there is adequate ventilation of the room when the range hood is used at the same time as appliances burning gas or other fuels and clean up the surrounding area, to avoid suction of the such as bits of broken wood.

5.2 It can not share the same air ventilation tube with other appliance such as gas tube, warmer tube, and hot wind tube.

5.3 The bending of soot ventilation tube should be $\geq 120^\circ\text{C}$, parallel or above the start point and should be connected to the outdoor.

5.4 After installation, test carefully on the horizontal degree, see pic7.

5.5 Be sure that the plug is accessible after installation.

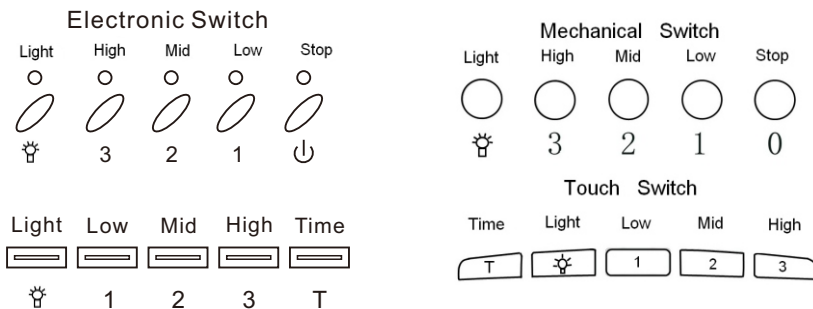


Pic 7

- ◆ There must permanent & adequate ventilation of the room when operating the range hood with appliances burning gas or other fuels.
- ◆ Do not check the status of the filters when the range hood is operating, wait at least 30 minutes after switching off to avoid scalding.
- ◆ Do not touch the (Halogen) light within 30 minutes after appliance use.
- ◆ Avoid operating a gas cooker when there is no pan on the stove, it is a fire hazard and may cause damage to the hood filters.
- ◆ Disconnect the electrical plug prior to any maintenance.
- ◆ This appliance is not intended for use by young children and persons unless they have been adequately supervised by a responsible person to ensure that they can use the appliance safely.
- ◆ The range hood is for home use only and is not suitable for outdoor, barbecue, and other commercial applications.
- ◆ The range hood and its filter should be cleaned regularly for best performance. Excessive grease will impede airflow and may cause the motor to overheat.
- ◆ Before cleaning, please confirm that the power is switched off.
- ◆ Building regulations concerning the discharge of exhaust air have to be fulfilled.
- ◆ Don't cook with an open flame under the range hood.
- ◆ For any technical issues ensure that a suitably qualified person effects any repairs or inspection.

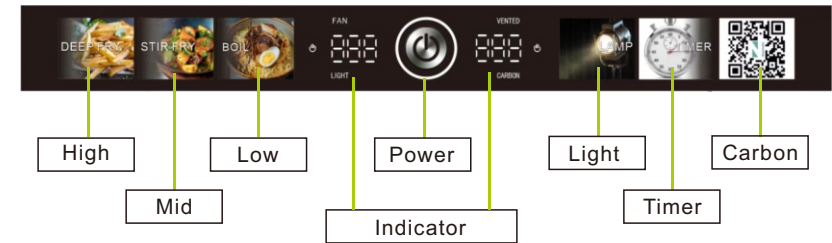
3 Speed adjustment (see pic 8)

- ◆ Push the Low button, and the motor runs at low speed.
- ◆ Push the Mid button, and the motor runs at mid speed.
- ◆ Push the High button, and the motor runs at high speed.
- ◆ Push the Light button, and the lamp illuminates. Push it again and the lamp will turn off.
- ◆ Push the Stop button, and the motor will stop.
- ◆ On any speed, push "T" & the delay timer will switch off the hood after 5 minutes.



pic 8

Gesture Control Switch (see pic 9)



pic 9

The hood may be operated by 3 control modes

- Touch
- Gesture
- Voice

1. Touch

Touch the various function switches to operate the corresponding functions

2. Gesture

Wave your hand left to right: Motor on low speed, lights on
 Wave your hand left to right again: Motor on mid speed
 Wave your hand left to right again: Motor on high speed

Wave your hand right to left: The hood shuts down.

3. Voice

Command	Action
hi Andy	hi I am here
power off	OK, Goodbye
speed one	Ok, speed one
speed two	Ok, speed two
speed three	Ok, speed three
light on	Ok, light on
light off	Ok, light off
delay shutdown	Ok, shut down three minutes later

4. Functions

Power -On/Off the hood

Deep Fry- Motor high speed- Indicator S3

Stir Fry- Motor mid speed- Indicator S2

Boil- Motor low speed- Indicator S1

Light- Switches the illumination on/off

Timer-Shuts down the hood in 180 seconds-Indicator countdown

Carbon- Only for hoods running in the recirculating mode.

The QR code flashes after 500 hours of operation. Scan it with your mobile phone to order charcoal filter replacement. (This function is not valid for hoods running in the ducted mode.)

If any problem occurs, please detach the plug from the socket and contact the manufacturer or its service agent or a similarly qualified person in order to avoid a hazard.

Problem	Cause	Solution
Light on, but motor does not work	The outlet valve is blocked	Detach flue and duct then turn on the hood to check if the valve opens
	The capacitor has failed	Call for technical service
	The control switch has failed	Call for technical service
Light does not work, motor does not work	No power supply	Plug another appliance into the socket to confirm there is power supply
	Fuse has blown	Open up the plug and replace the 13A fuse
Vibration	The propeller is damaged or unbalanced	Call for technical service
	The hood is not installed correctly	Review the installation instructions & check the installation again for loose screws, brackets or connections
Insufficient suction effect	The distance between the hood and the cooker is	Check that the distance is between 650mm to 700mm
	The filters are saturated	Clean the filters from grease residue and replace after drying.

Specifications

Power Supply	220-240V, 50Hz	
Lighting Power	1.5W×2(LED)	<input type="checkbox"/>
	2W×2 (Strip LED)	<input type="checkbox"/>
Motor Power	138W	
Airflow	760m ³ /h	
Outlet Diameter	150mm	

*** Before cleaning, Please confirm that the power is switched off**

11.1 Cleaning the surface of hood every week. Use mild soap or detergent to clean the hood.

11.2 Avoid the use of scouring powers of dishwasher compounds.

11.3 Grease filter may be washed using mild soap or detergent when use it three months. (heavy grease build-up may not be cleaned easily and the filter may require replacement)

11.4 Do not use harsh alkalis or abrasives.

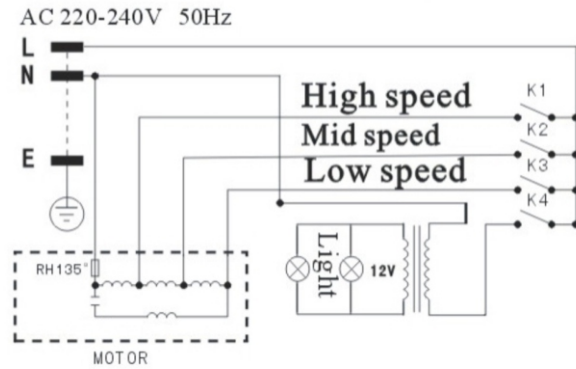
11.5 Charcoal filters cannot be cleaned and must be replaced when use it six months.

Electrical Diagram

kitchen technique

Newmatic

Mechanical control



Contact us if you need any assistance:



Singapore: +65 8883 8677

Kenya: + 254 7114 77711

Tanzania: + 255 7647 40972

Uganda: + 256 7597 36614

Electronic control & Touch control

